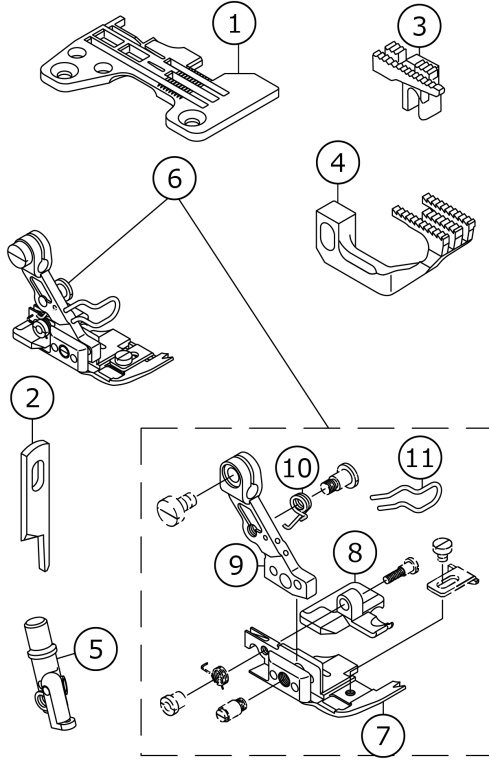


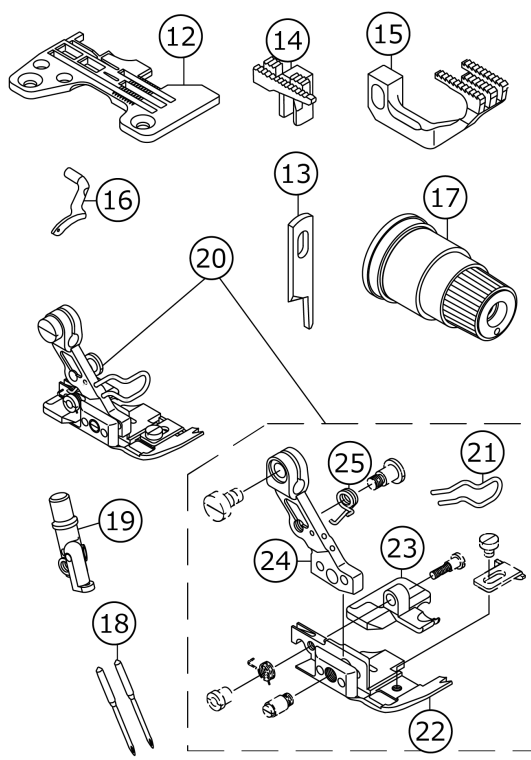
# MO-6716 Subclasses

## MO-6716S, MO-6745S SUBCLASSES (1)

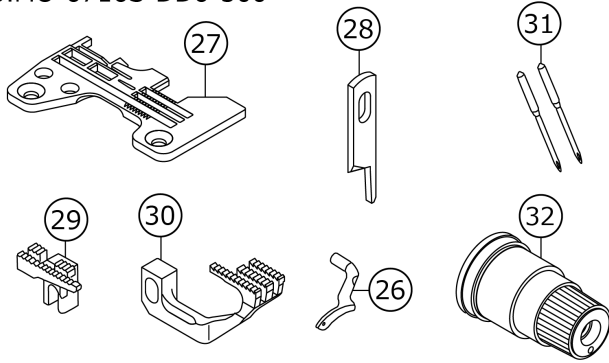
1.MO-6716S-FF6-300



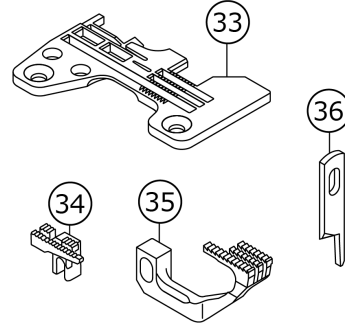
2.MO-6716S-FF6-500



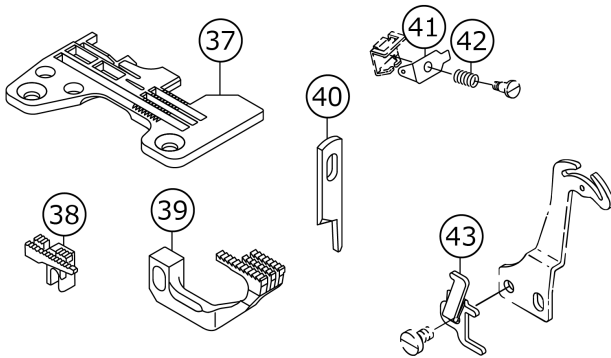
3.MO-6716S-DD6-500



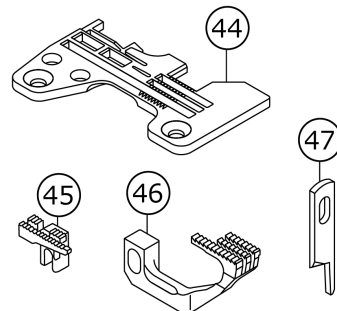
4.MO-6716S-DD6-300



5.MO-6716S-DD6-3F0



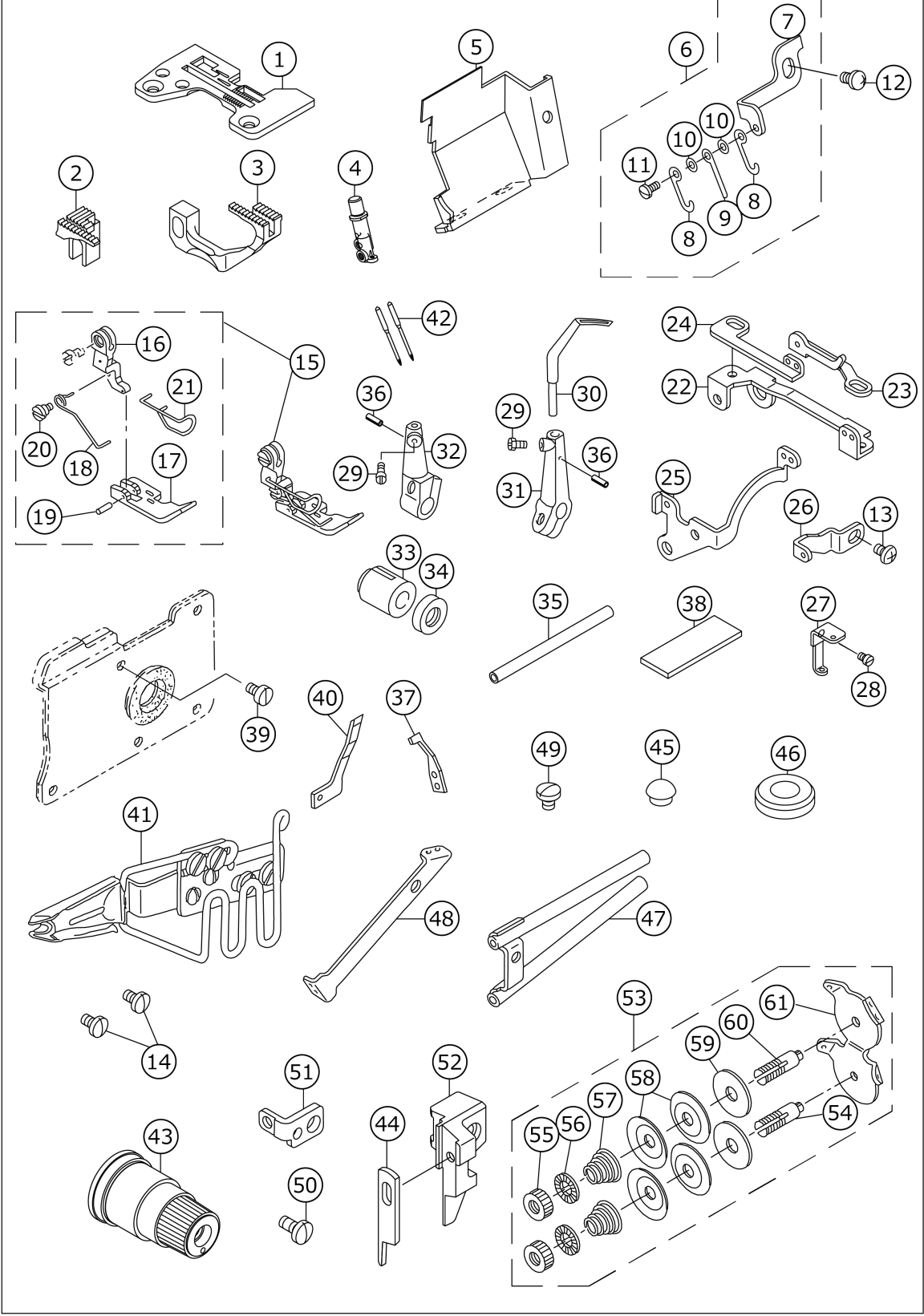
6.MO-6716S-DE6-300



No.	品番	品名	備考	子部品	消耗品	個数
1	R4612J6FD00	THROAT PLATE				1.00
2	13150503	KNIFE				1.00
3	11884004	MAIN FEED DOG				1.00
4	12173308	DIFFERENTIAL FEED DOG				1.00
5	12257507	NEEDLE CLAMP, CHAIN LOOPER				1.00
6	12154266	PRESSER FOOT ASM.				1.00
7	12162707	PRESSER FOOT		*		1.00
8	12165304	REAR PRESSER FOOT		*		1.00
9	12157004	PRESSER FOOT HINGE		*		1.00
10	12168001	PRESSER FOOT ARM SPRING, (B)		*		1.00
11	12168209	FINGER GUARD				1.00
12	R4612J6FG00	THROAT PLATE				1.00
13	13150503	KNIFE				1.00
14	11883006	MAIN FEED DOG				1.00
15	12173506	DIFFERENTIAL FEED DOG				1.00
16	11999208	UPPER LOOPER				1.00
17	13137559	TENSION SPRING UNION (RED)				1.00
18	MDC270B1600	NEEDLE DCX27 #16				2.00
19	12257507	NEEDLE CLAMP, CHAIN LOOPER				1.00
20	12154266	PRESSER FOOT ASM.				1.00
21	12168209	FINGER GUARD		*		1.00
22	12162707	PRESSER FOOT		*		1.00
23	12165304	REAR PRESSER FOOT		*		1.00
24	12157004	PRESSER FOOT HINGE		*		1.00
25	12168001	PRESSER FOOT ARM SPRING, (B)		*		1.00
26	11999208	UPPER LOOPER				1.00
27	R4608J6DF00	THROAT PLATE				1.00
28	13150503	KNIFE				1.00
29	11980802	MAIN FEED DOG				1.00
30	12173902	DIFFERENTIAL FEED DOG				1.00
31	MDC270B1600	NEEDLE DCX27 #16				2.00
32	13137559	TENSION SPRING JUNCTION				1.00
33	R4608J6DD00	THROAT PLATE				1.00
34	11882909	MAIN FEED DOG				1.00
35	12173209	DIFFERENTIAL FEED DOG				1.00
36	13150503	KNIFE				1.00
37	R4608J6DD00	THROAT PLATE				1.00
38	11882909	MAIN FEED DOG				1.00
39	12173209	DIFFERENTIAL FEED DOG				1.00
40	13150503	KNIFE				1.00
41	12112504	NEEDLE THREAD PRESSER PLATE C				1.00
42	12112702	NEEDLE THREAD PRESSER SPRING B				1.00
43	12112603	DIFFERENTIAL FEED CAM				1.00
44	R4608J6ED00	THROAT PLATE				1.00
45	11882909	MAIN FEED DOG				1.00
46	12173209	DIFFERENTIAL FEED DOG				1.00
47	13150503	KNIFE				1.00

# MO-6716S, MO-6745S SUBCLASSES (2)

7.MO-6745S-FF4-360/N077



No.	品番	品名	備考	子部品	消耗品	個数
1	40026881	THROAT PLATE				1.00
2	40031382	MAIN FEED DOG				1.00
3	40031381	DIFFERENTIAL FEED DOG				1.00
4	12150306	NEEDLE CLAMP, CHAIN LOOPER				1.00
5	13105309	CLOTH WASTE COVER				1.00
6	12145652	CHAIN LOOPER THREAD TAKE-UP				1.00
7	12145702	THREAD TAKE-UP FITTING BASE		*		1.00
8	B1427816000	NEEDLE THREAD TAKE-UP LEVER A		*		2.00
9	B1428816000	NEEDLE THREAD TAKE-UP LEVER B		*		1.00
10	WP0250516SD	WASHER 2.5X6X0.5		*		2.00
11	SS7060510SP	SCREW 3/32-56 L=4.8		*		1.00
12	SM4040655SP	SCREW M4 L=6				1.00
13	SM4040655SP	SCREW M4 L=6				1.00
14	SS7110710SL	SCREW 11/64-40 L=7.0				2.00
15	40031637	PRESSER FOOT COMPL.				1.00
16	11872405	PRESSER FOOT HINGE		*		1.00
17	40026885	PRESSER FOOT		*		1.00
18	11892106	PRESSER SPRING		*		1.00
19	B1511357000	PIN		*		1.00
20	SD0370401SP	HINGE SCREW D= 3.70 H= 4.0		*		1.00
21	11894706	FINGER GUARD		*		1.00
22	12146007	THREAD GUIDE BASE				1.00
23	12146106	THREAD GUIDE A				1.00
24	12146205	THREAD GUIDE B				1.00
25	12146304	THREAD GUIDE				1.00
26	12145801	CHAIN LOOPER THREAD GUIDE				1.00
27	12145900	NEEDLE THREAD GUIDE				1.00
28	SS6060340SP	SCREW 3/32-56 L= 2.5				1.00
29	SS9090610TP	SCREW 9/64-40 L=5.5				2.00
30	11999604	DOUBLE-RING LOOPER				2.00
31	B211784500A	CHAIN LOOPER SUPPORT ARM A				1.00
32	B211784500B	CHAIN LOOPER SUPPORT ARM				1.00
33	B2110845000	BUSHING, FRONT				1.00
34	B2121845000	OIL SEAL				1.00
35	B2109816000	CHAIN LOOPER SHAFT				1.00
36	PS0200062KH	SPRING PIN 2X6				2.00
37	11891009	NEEDLE GUARD				1.00
38	B2528845000	CHIP GUARD PLATE				1.00
39	SS6090630TP	SCREW 9/64-40 L=6				1.00
40	11890902	NEEDLE GUARD				1.00
41	MAN0770F0A0	TOP CENTER PLAIT BINDER ASM.				1.00
42	MDC270B1100	NEEDLE DCX27 #11				2.00
43	13140652	TENSION SPRING UNION (GREEN)				2.00
44	13150503	KNIFE				1.00
45	TA0750404R0	PLUG D=7.5 L=3.5				1.00
46	TA2000502R0	RUBBER PLUG				1.00
47	11893054	LOOPER THREAD GUIDE TUBE ASM.				1.00
48	11893104	LOOPER THREAD GUIDE TUBE GUIDE				1.00
49	SS7090510SP	SCREW 9/64-40 L= 4.6				1.00
50	SS7110840SP	SCREW 11/64-40 L=7.8				1.00

51	11854205	SUPPORT				1.00
52	40033522	KNIFE SUPPORT				1.00
53	11892957	TENSION CONTROLLER ASM.				1.00
54	11892908	THREAD TENSION POST B		*		1.00
55	B2314019000	TENSION POST NUT		*		2.00
56	B3120125000	ROTATING STOPPER		*		2.00
57	B2017372000	TENSION SPRING NO.1		*		2.00
58	B3126012000	THREAD TENSION DISK		*		4.00
59	B3120352000	THREAD TENSION SPRING FELT		*		2.00
60	11550803	THREAD TENSION POST		*		1.00
61	11892809	THREAD GUIDE		*		1.00

# HOW TO MAKE USE OF THIS PARTS LIST

1.As to "#01" and "#02" refer to the "Note" given at the bottom of the respective pages.

2.Codes on the "Qty" column

- Each numeral indicates the number of parts required.
- "0.1" and "2.5" indicate the length (in meters) of the respective parts.

3.Parentheses mean that the corresponding part is a subpart that constructs an assembly part.

4.Dotted lines on the Figures indicate assembly parts.

1. リストページの# 0 1、# 0 2の印は、ページ下の"注記"の説明を参照下さい。

2. 数量欄の数字は、個数を表し、0. 1、2. 5等の数値は、長さ（単位メートル）を表します。

3. 数量欄の（ ）は、組部品を構成している子部品であることを意味します。

4. イラストページの-----枠は、組構成であることを意味します。